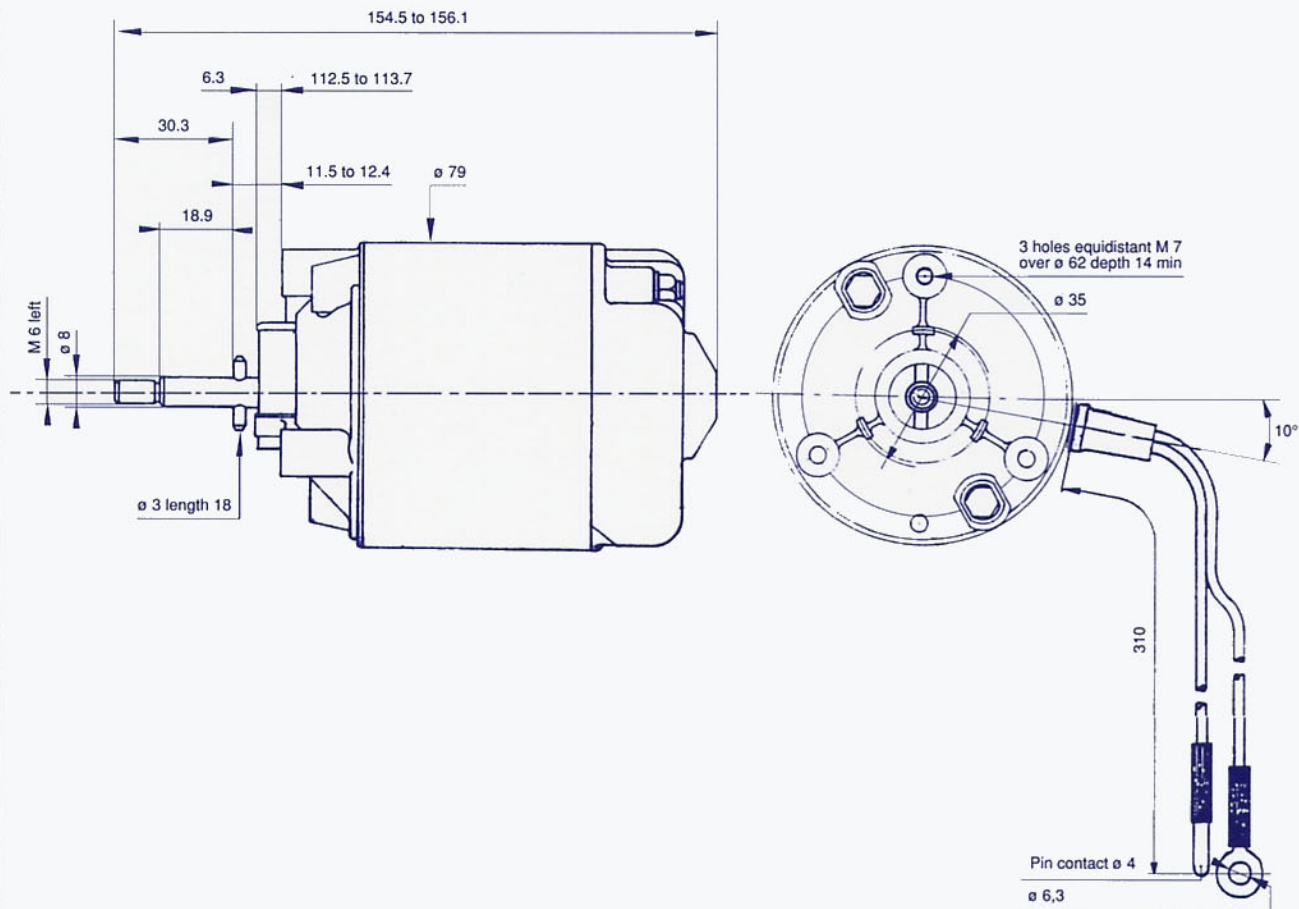


# Motor Ø 79



## Characteristics

Working voltage : 24 V  
 Nominal torque : 0.21 mN  
 Nominal speed : 2500 rpm  
 Nominal voltage : 3.3 A  
 Rotation : clockwise, anticlockwise  
 Working temperatures :  
 -30°C to +80°C  
 Weight : 1.400 kg  
 Inductors : ferrite  
 Durability :  
 2000 hours continuous operation

Test voltage : 28 Volts

